

Vista Sharp

Table Stands

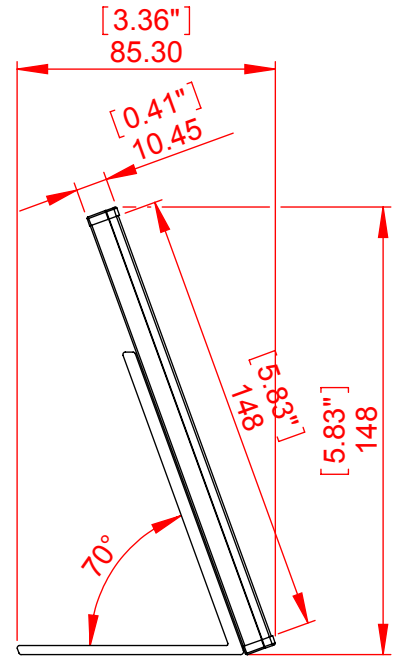


Table Stands

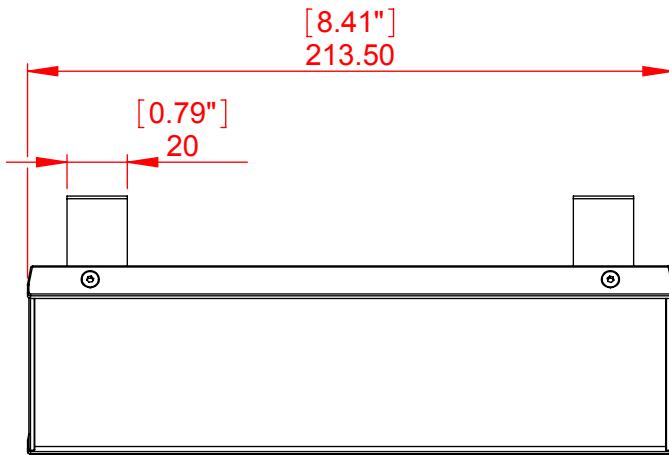
Vista Sharp's table stands come in two versions, one that includes end caps, and another with a "Full frame" that includes a stylish aluminum extrusion (cut to a 45 angle). This type of sign will be often used to hold any content relevant for counters, bars or tables such as title and name at a working station, instructions or special information.



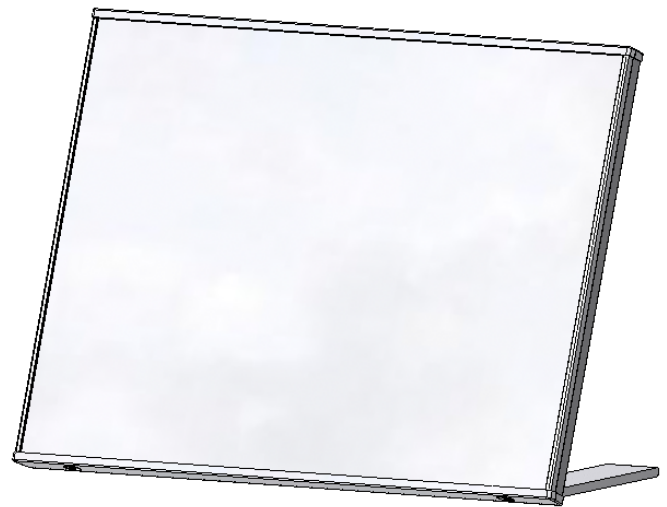
Front view



Side view



Top view

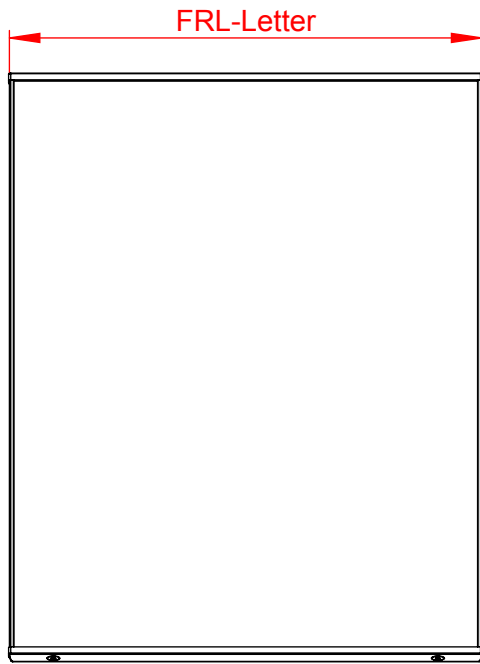


Isometric view

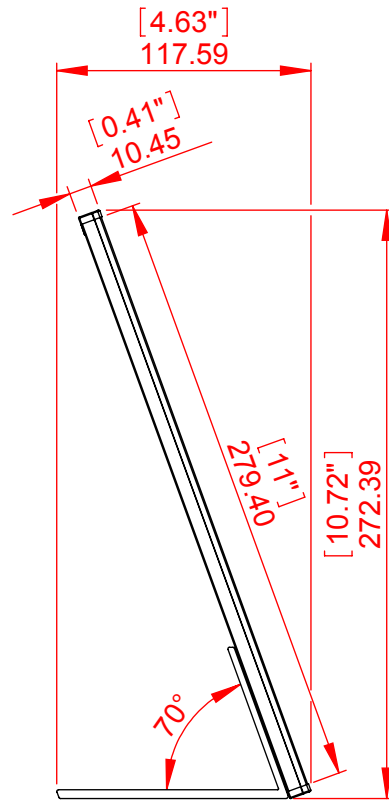


Project	Sharp system	Designer: R.C
Model	Table Stand FRL-A4x148 (A5) with End caps	Date: 15/05/2018
Part Number	TS2E15	Scale:
Material		Measurements in millimeters Do not scale drawing

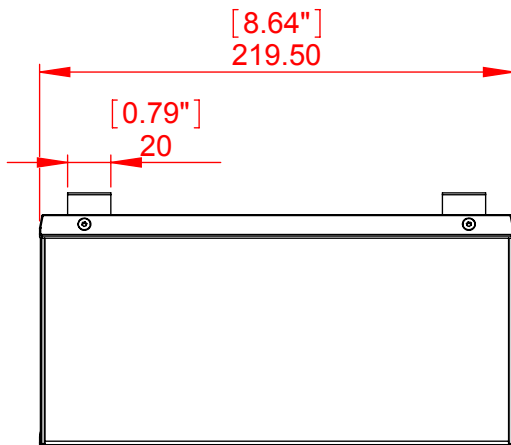
Proprietary and confidential: The information contained in this drawing is the sole property of Vista system Limited. Any reproduction; copying; distribution or any other use in part or as a whole without the written permission of Vista system Limited is prohibited. This ban includes any use by any third party that did not receive this information from Vista system Limited.



Front view



Side view



Top view

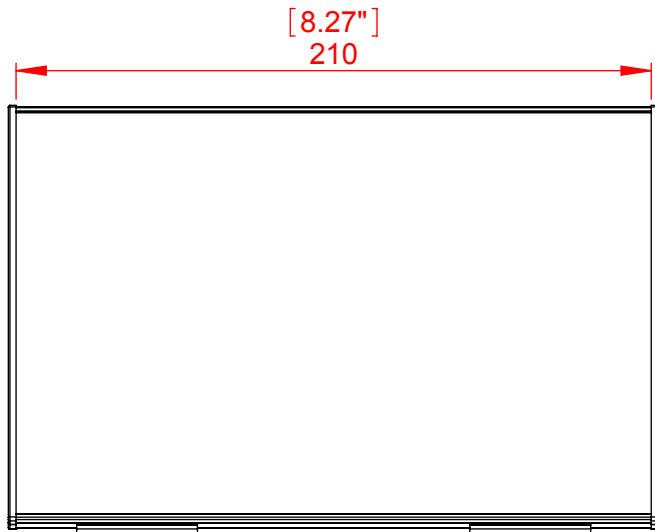


Isometric view

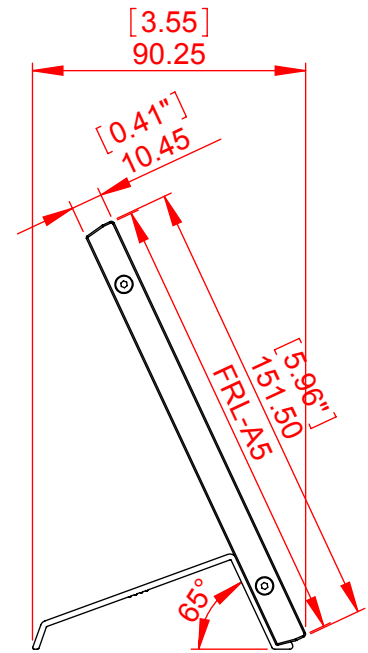


Project	Vista Sharp	Designer: R.C
Model	Table Stand FRL-Letter x11" (Letter)	Date: 16/05/2018
Part Number	TS2E21	Scale:
Material		Measurements in millimeters Do not scale drawing

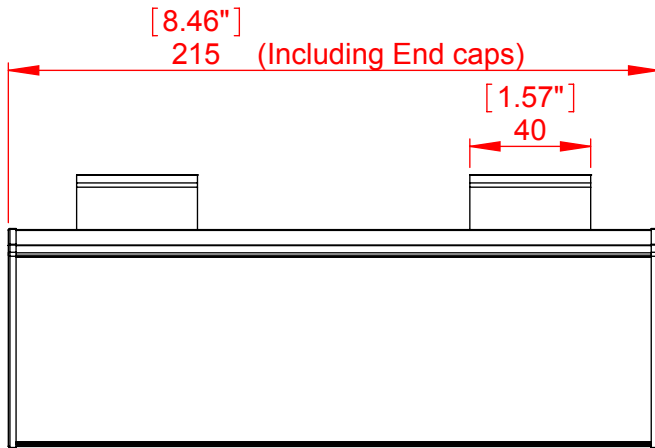
Proprietary and confidential: The information contained in this drawing is the sole property of Vista system Limited. Any reproduction; copying; distribution or any other use in part or as a whole without the written permission of Vista system Limited is prohibited. This ban includes any use by any third party that did not receive this information from Vista system Limited.



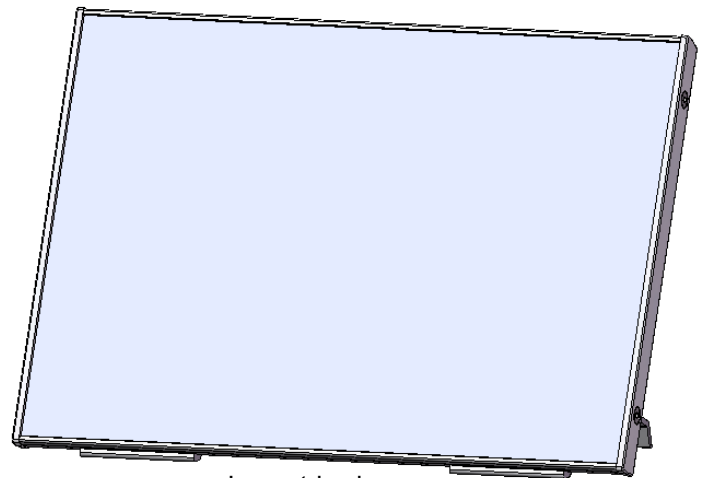
Front view



Side view



Top view

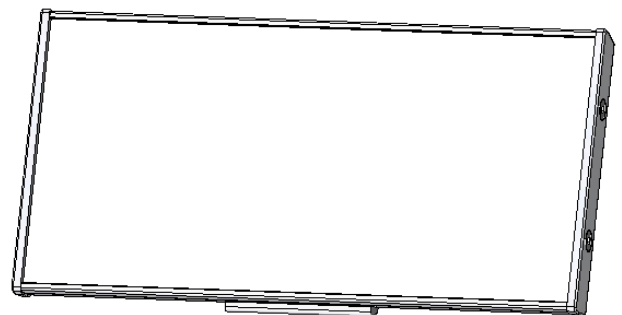
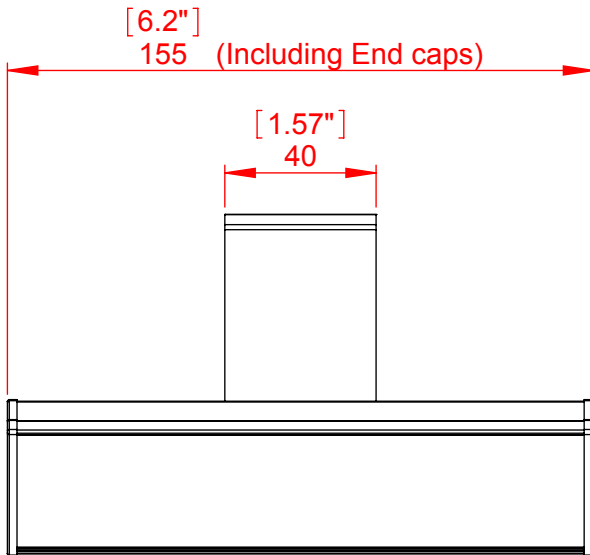
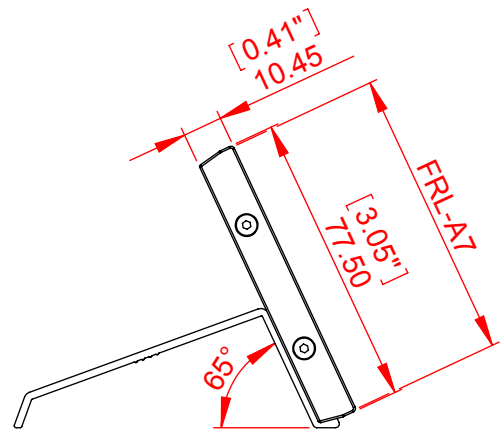
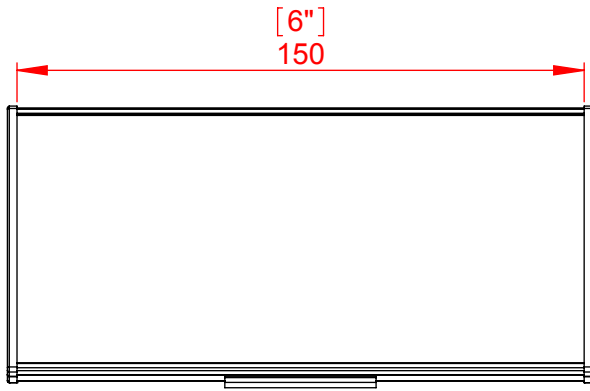


Isometric view



Project	Sharp system	Designer: R.C
Model	Table Stand FRL-A5x210 (A5) with End caps in the sided	Date: 27/05/2018
Part Number	TS2E11	Scale:
Material		Measurements in millimeters Do not scale drawing

Proprietary and confidential: The information contained in this drawing is the sole property of Vista system Limited. Any reproduction; copying; distribution or any other use in part or as a whole without the written permission of Vista system Limited is prohibited. This ban includes any use by any third party that did not receive this information from Vista system Limited.



Project	Sharp system	Designer: R.C
Model	Table Stand FRL-A7x150 with End caps on the sided	Date: 30/05/2018
Part Number	TS2E1	Scale:
Material		Measurements in millimeters Do not scale drawing

Proprietary and confidential: The information contained in this drawing is the sole property of Vista system Limited. Any reproduction; copying; distribution or any other use in part or as a whole without the written permission of Vista system Limited is prohibited. This ban includes any use by any third party that did not receive this information from Vista system Limited.